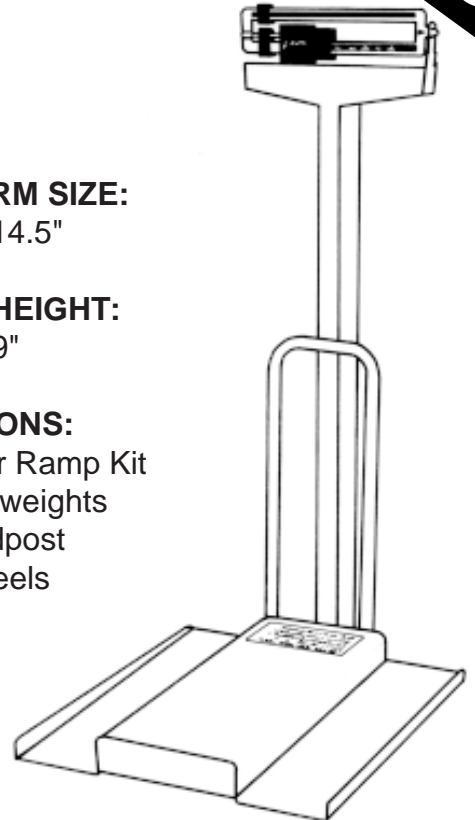
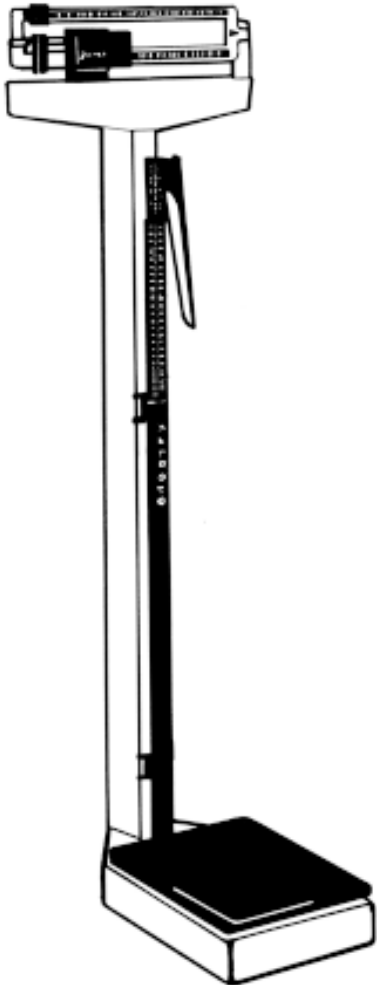




**PRODUCT SPECIFICATIONS**

## Physician Scales

**MODELS:** 437, 438, 439, 449  
2391, 2381, 2491



**PLATFORM SIZE:**  
10.5" X 14.5"

**SCALE HEIGHT:**  
59"

**OPTIONS:**  
Wheelchair Ramp Kit  
Counterweights  
Handpost  
Wheels

Model	Capacity		Height Rod 30-78 in 75-192 cm	Wheels	Handpost	Color	Ship Wt
	400 lb x 4 oz	140 kg x 100 g					
439	☆		☆			White, Champagne, Grey,	38 lb
2391		☆	☆			White	37 lb
438	☆		☆	☆		White	39 lb
2381		☆	☆	☆		White	39 lb
449	☆		☆		☆	White	43 lb
2491		☆	☆		☆	White	43 lb
437	☆					White	34 lb

**Die-cast beam, aluminum on black insert, easily read from either side**

**Heavy-duty understructure**

**Interchangeable parts**

F-C136C

For additional information or to place an order: 1-800-836-8445