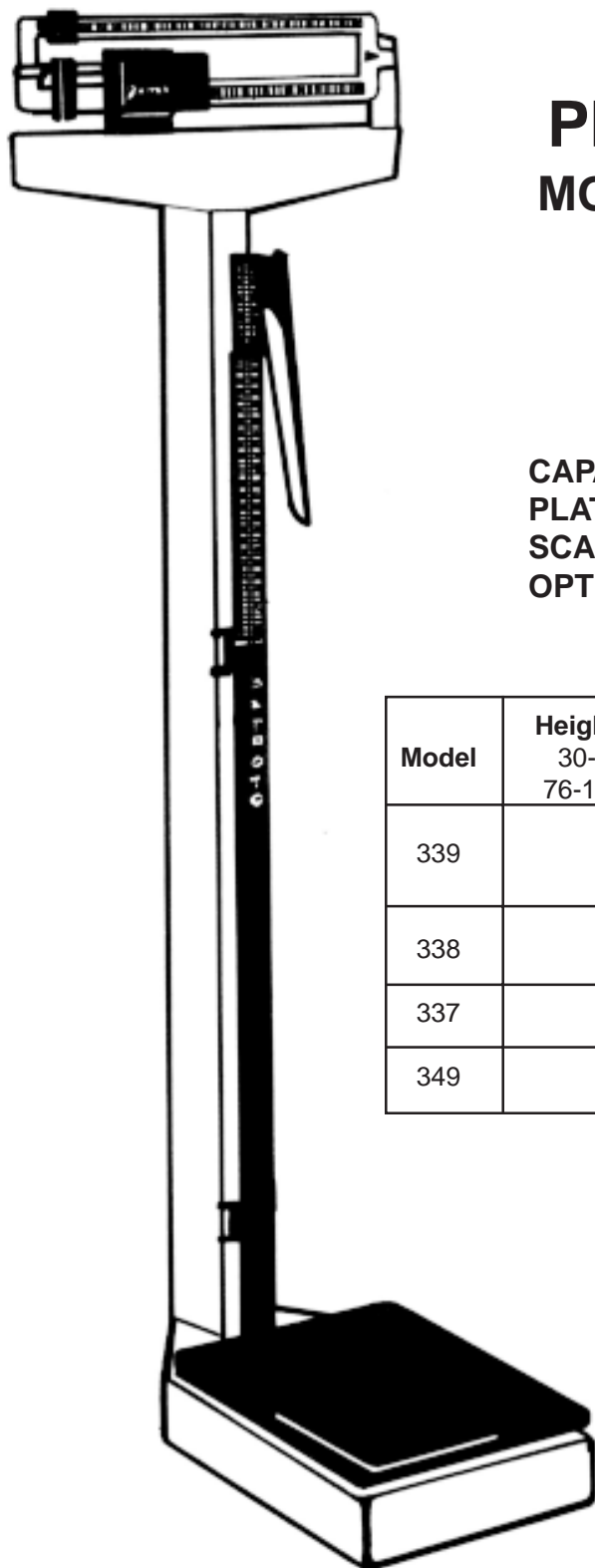




PRODUCT SPECIFICATIONS



Physician Scales

MODELS: 339, 338, 337, 349

CAPACITY: 350 lb X 4 oz - 160 kg x 100 g
PLATFORM SIZE: 10 1/2" x 14 1/2"
SCALE HEIGHT: 59"
OPTIONS: Wheelchair Ramp Kit
 Counterweights

Model	Height Rod 30-78 in 76-198 cm	Wheels	Handpost	Color	Ship Wt
339	☆			White, Champagne, Grey Mauve, Teal	37 lb
338	☆	☆		White	39 lb
337				White	34 lb
349	☆		☆	White	42 lb

Cardinal Scale reserves the right to improve, enhance and modify features and specifications without prior notice.